

## ASSEMBLY INSTRUCTIONS



Model: 806212



### WARNING! ENTRAPMENT OR CRUSHING RISK

Ensure there is no person, animal or item obstructing the area under the footrest before operating this product.



## SAFETY INSTRUCTIONS

Please read these instructions carefully before operating.

- Ensure there is no person, animal or item obstructing the area under the footrest before operating this product.
- Improper use or installation may result in the risk of fire, electric shock and/or injury. We assume no liability for any eventual damages caused by improper use or inappropriate handling, or by any other non-compliance with the instructions in this manual.
- This product is not intended for use by persons (including children) with reduced physical, sensory or mental capabilities, or lack of experience and knowledge, unless they have been given supervision or instruction concerning use of the product by a person responsible for their safety.
- Children should be supervised to ensure that they do not play with the product.
- This product contains moving parts. Keep fingers, hair and body parts well clear from moving parts. To reduce the risk of injury, keep children and pets clear of the product when in use.
- Do not sit or place additional weight on the arms, back or open footrest.
- This product is very heavy. Only move this product by lifting the main body. Never drag by the footrest, back or armrest.
- Return this product to the full upright position to stand safely and prevent a tripping hazard.
- Do not operate this product if damage is visible in any form.
- Do not modify or use unauthorised substitute parts.
- This product has been designed and intended for indoor residential use only. It is not suitable for commercial or outdoor use.
- This product is not intended to be used as part of a health care plan. Consult your medical professional before operating if you are taking medication or have physical limitations.



## ELECTRICAL SAFETY

Please read these instructions carefully before operating.

- Never force the back or footrest to close faster than the electric motor.
- Before commencing cleaning or maintenance, ensure this product is disconnected from the power outlet and the back is in the full upright position.
- Disconnect this product from the power outlet before moving.
- Cease operation and disconnect from the power outlet if you ever detect a burning odour or smoke coming from the product.
- Do not operate this product if liquid spillage occurs on or around it. Disconnect from the power outlet and allow the product to completely dry before reconnecting.
- Do not operate the power functions or charge station with wet hands.
- Check the condition of the power cord, electrical cords, transformer, plug and connector on a monthly basis. Do not operate if wear is visible.
- Ensure the power cord, electrical cords and transformer are clear of moving parts and not trapped underneath the base.
- Position the power cord to minimise a tripping hazard.
- Never attempt to open or disassemble electrical components.
- We recommend the use of a surge protector (not included).

# ASSEMBLY INSTRUCTIONS

Please read these instructions carefully before assembling.

1. Assemble this product in an open area with room to move.
2. Remove the wooden support rails from the base of the seat (2 and 3 Seater only).
3. Remove the external power cords attached to the metal posts **B**. Set aside for step 8.
4. Attach the seat backs to the base by sliding the metal receivers **A** over the metal posts **B** (Figure 1). Ensure both sides align before pushing down firmly to lock in place. The seat backs are heavy. Ask for help if you need assistance aligning the posts and receivers. Repeat across all backs.
5. Locate the power cord **C** on the seat back and connect to power cord **D** at the rear of the seat base (Figure 3). Repeat across all seats.
6. On the middle seat (3 Seater) and console (2 Seater), locate the light cord **E** attached to the seat back and connect to light cord **F** at the rear of the seat base (Figure 4).
7. Connect power cord **G** from the middle seat (3 Seater only) to a power outlet (Figure 2).
8. Retrieve the external power cords set aside in step 3 and connect power cord **P** into the socket on the left side of the suite when facing from behind. Connect power cord **O** into the socket on the right side (3 Seater and 2 Seater). Power cord **O** can be identified by the black box plug. Connect both plugs into a power outlet.
9. Check all electrical connections are firmly connected as per the above steps before turning the power outlet on. Ensure the red switch where power cord **P** is connected is switched on and lit up.
10. Your suite is now assembled and ready to be used. Please read the safety instructions before operating. Refer to [www.smartcomfort.com.au](http://www.smartcomfort.com.au) or [www.smartcomfort.co.nz](http://www.smartcomfort.co.nz) for troubleshooting information.

## 3 Seater

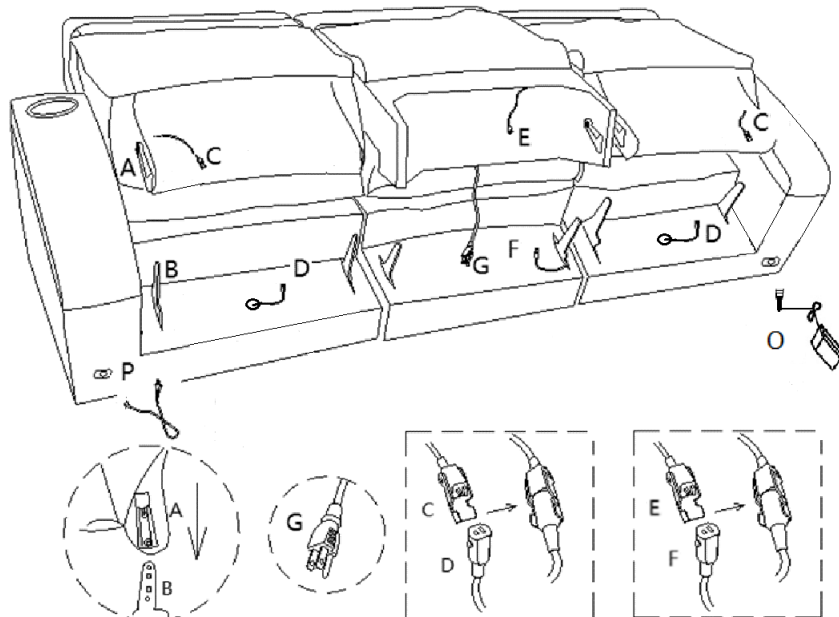


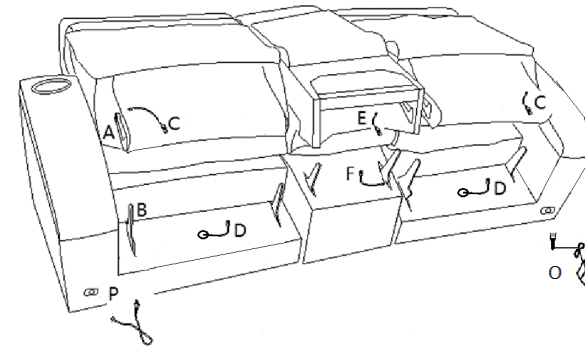
Figure 1

Figure 2

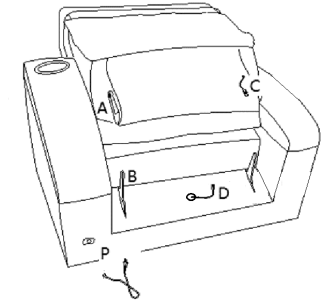
Figure 3

Figure 4

## 2 Seater



## Recliner



# OPERATION INSTRUCTIONS

## Cup Holder Controller



Button	Functionality
HOME	Push and hold to return the seat and headrest to the upright position.
OPEN	Raises the footrest and reclines the seat back into the reclined position.
CLOSE	Returns the seat to the upright position.
UP	Raises the headrest.
DOWN	Lowers the headrest.
LIGHT	On/Off for the base and cup holder lights. Push and hold to cycle through the 7 colour options.

If you experience difficulties with the suite please contact the store from which it was purchased.